

2. CABLE GLANDS FOR PVC PLATFORM CABLES

2.1. PLATFORM CABLE GLANDS FOR PVC PLATFORM CABLES



Applications:	Recommended for mounting pvc platform cables in an economical and reliable way into boxes or electrical cabinets.
Gland body:	Light gray polystyrene RAL7035 (option in nickel-plated brass)
Locknut:	Light gray polystyrene RAL7035 (option in nickel-plated brass)
Tightening element:	Neoprene
Cable entry:	Zinc plated steel (option in stainless steel)
Protection degree:	IP54
Service temperature:	-20°C / +60°C
Connection thread:	PG DIN 40430 or metric IEC432

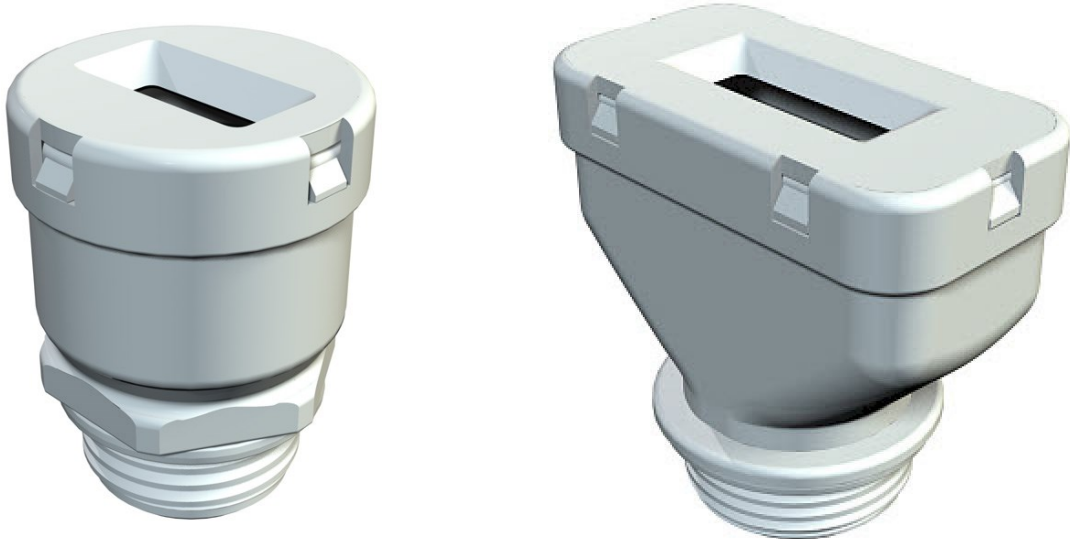
Slot width x height (mm x mm)	Reference	Code	Thread PG	Reference	Code	Metric Thread
17 x 6,5	PG-21-P(17x6,5)	308328	PG-21	M25-P(17x6,5)	308447	M25
19 x 7	PG-21-P(19x7)	308331	PG-21	M25-P(19x7)	308483	M25
20 x 9	PG-21-P(20x9)	308477	PG-21	M32-P(20x9)	308484	M32
23,5 x 8	PG-29-P(23,5x8)	308333	PG-29	M32-P(23,5x8)	308485	M32
25,5 x 9	PG-29-P(25,5x9)	308015	PG-29	M32-P(25,5x9)	308486	M32
29 x 6	PG-36-P(29x6)	308326	PG-36	M50-P(29x6)	308487	M50
29,5 x 11	PG-36-P(29,5x11)	308366	PG-36	M50-P(29,5x11)	308488	M50
31 x 6,5	PG-36-P(31x6,5)	308329	PG-36	M50-P(31x6,5)	308489	M50
31 x 10	PG-36-P(31x10)	308334	PG-36	M50-P(31x10)	308490	M50
33 x 8	PG-36-P(33x8)	308481	PG-36	M50-P(33x8)	308491	M50
35 x 7	PG-36-P(35x7)	308332	PG-36	M50-P(35x7)	308492	M50
38 x 8	PG-48-P(38x8)	308028	PG-48	M50-P(38x8)	308493	M50
38 x 12	PG-48-P(38x12)	308335	PG-48	M50-P(38x12)	308494	M50
41 x 7	PG-48-P(41x7)	308482	PG-48	M50-P(41x7)	308495	M50
44 x 6,5	PG-48-P(44x6,5)	308330	PG-48	M63-P(44x6,5)	308496	M63
44 x 13,5	PG-48-P(44x13,5)	308336	PG-48	M63-P(44x13,5)	308497	M63
46,5 x 15	PG-48-P(46,5x15)	308347	PG-48	M63-P(46,5x15)	308498	M63
48 x 6	PG-48-P(48x6)	308327	PG-48	M63-P(48x6)	308499	M63
49 x 7,5	PG-48-P(49x7,5)	308032	PG-48	M63-P(49x7,5)	308500	M63
55 x 8	PG-48-P(55x8)	308033	PG-48	M63-P(55x8)	308501	M63



CABLE GLANDS

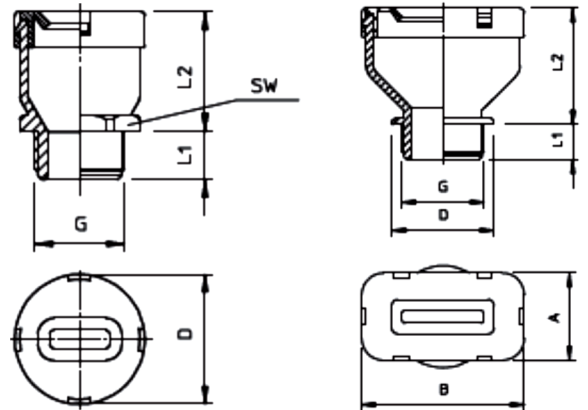
2.2. CONICAL CABLE GLANDS FOR PVC PLATFORM CABLES

Applications:	Advisable for mounting pvc flatform cables in an economical and reliable way to junction boxes or electrical cabinets. Small size.
Gland body:	Light gray polyethylene
Gland cover:	Light gray polyethylene
Locknut (optional):	Light gray polystyrene RAL7035 (option in nickel-plated brass)
Ingress protection:	IP31
Service temperature:	-40°C / +70°C (Max.: +90°C)
Connection thread:	PG DIN 40430 or metric IEC432



Dimensions

Threa d G	D (mm)	L1 (mm)	L2 (mm)	A (mm)	B (mm)
PG16	32,5	12	30	-	-
PG21	35	12	40	30	56
PG29	46	13	46	30	56
M20	32,5	12	30	-	-
M25	35	12	40	30	56
M32	46	13	46	30	56
M40	46	13	46	30	56





CABLE GLANDS

Code	Cable thickness (mm)	Cable width (mm)	Thread PG / Metric
308504	6-8	17-19	PG16
308505	4-6	27-30	PG21
308506	6-8	30-33	PG21
308507	7-9	19-22	PG21
308280	7-9	36-39	PG21
308508	8-10	26-29	PG21
308509	8,5-10,5	28,5-31,5	PG21
308510	9-12	31-35	PG21
308511	11-14	37-40	PG21
308281	11-14	37-40	PG29
308512	6-8	17-19	M20
308513	4-6	27-30	M25
308514	6-8	30-33	M25
308515	7-9	19-22	M25
308516	7-9	36-39	M25
308517	8-10	26-29	M25
308518	8,5-10,5	28,5-31,5	M25
308519	9-12	31-35	M25
308520	11-14	37-40	M25
308521	4-6	27-30	M32
308522	6-8	30-33	M32
308523	7-9	19-22	M32
308524	7-9	36-39	M32
308525	8-10	26-29	M32
308526	8,5-10,5	28,5-31,5	M32
308527	9-12	31-35	M32
308528	11-14	37-40	M32
308529	4-6	27-30	M40
308530	6-8	30-33	M40
308531	7-9	19-22	M40
308532	7-9	36-39	M40
308533	8-10	26-29	M40
308534	8,5-10,5	28,5-31,5	M40
308534	9-12	31-35	M40
308536	11-14	37-40	M40