

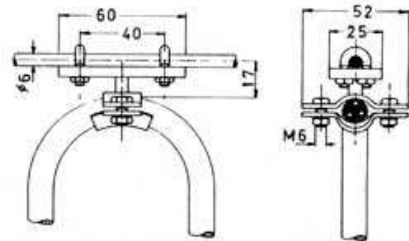
SERIE 2.301

Run on steel rope $\varnothing 6\text{mm}$
Maximum span width of installation = 12-15m
Made of zinc plated steel with plastic wheels.

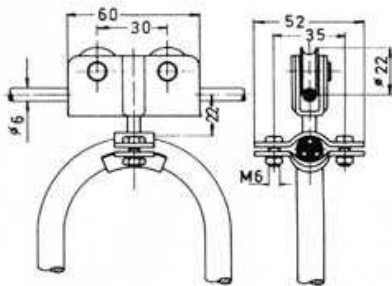
Serie 2.301-A

Load per trolley = 5Kg
Cable capacity : $\varnothing 8\text{-}15\text{mm}$

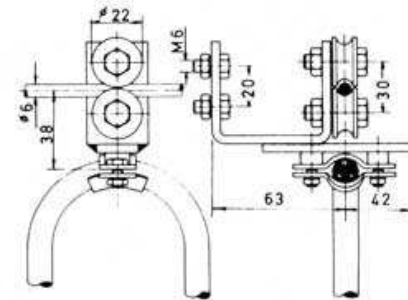
End clamp ref. 2.301-A-2



Cable trolley ref. 2.301-A-5



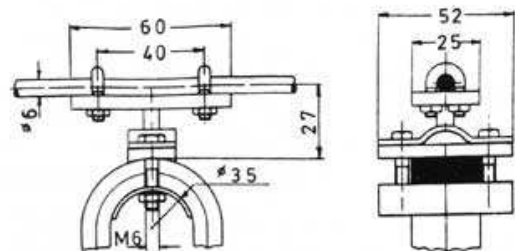
Towing trolley ref. 2.301-A-6



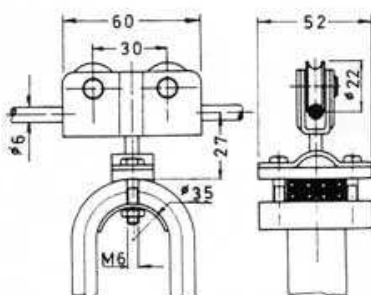
Serie 2.301-P

Load per trolley = 5Kg
Maximum bundle dimension : 29 x 8 mm

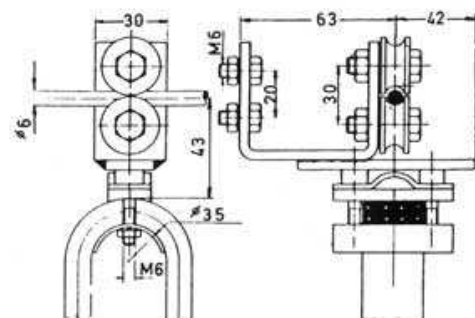
End clamp ref. 2.301-P-2



Cable trolley ref. 2.301-P-5



Towing trolley ref. 2.301-P-6



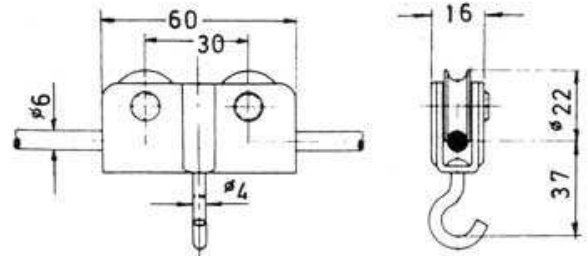
SERIE 2.301

(Cont.)

Trolley ref. 2.301-G

Advised for hanging tools and implements
in mobile applications.

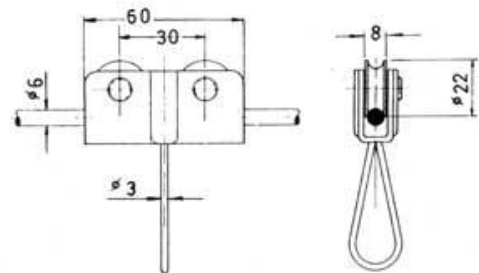
Hook made of zinc plated steel.



Trolley ref. 2.301-NY

Adaptable to different uses and fastening.

Hanger made of nylon.

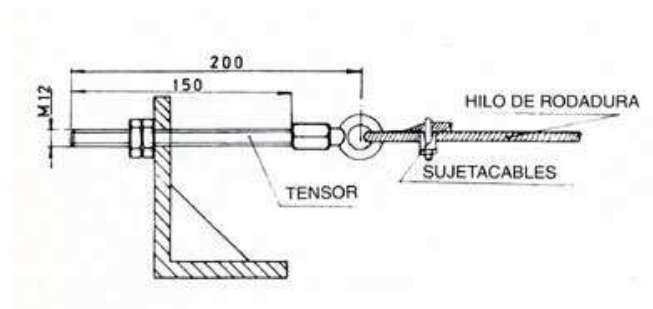


Strainer ref. AT-12

Used with steel rope $\phi 6$ mm and $\phi 8$ mm

Wire rope clamp ref. 1/4"

Used with steel rope $\phi 6$ mm



SERIE 2.337

Run on steel rope $\varnothing 8\text{mm}$

Maximum span width of installation = 15-20m

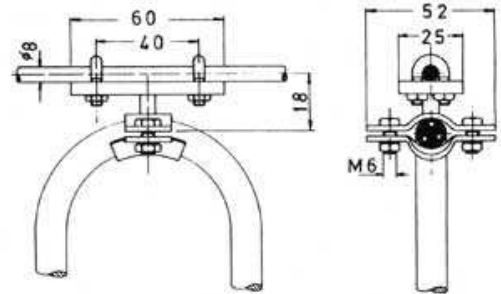
Body and wheels made of plastic. Cable holder made of zinc plated steel

Serie 2.337-C

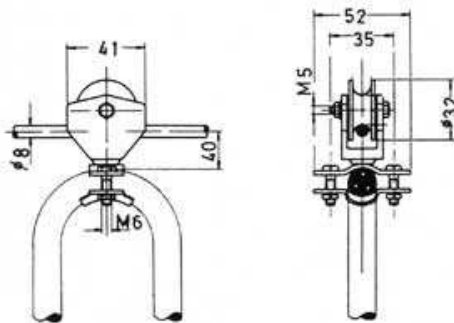
Load per trolley = 5Kg

Cable capacity : $\varnothing 8\text{-}15\text{mm}$

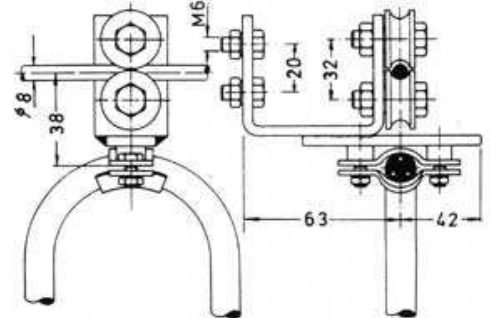
End clamp ref. 2.337-C-2



Cable trolley ref. 2.337-C-5



Towing trolley ref. 2.337-C-6

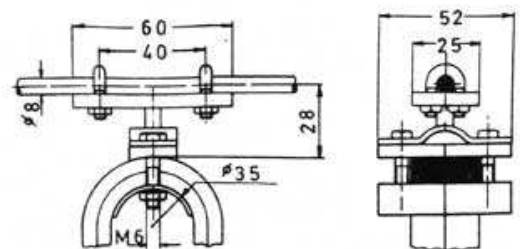


Serie 2.337-P

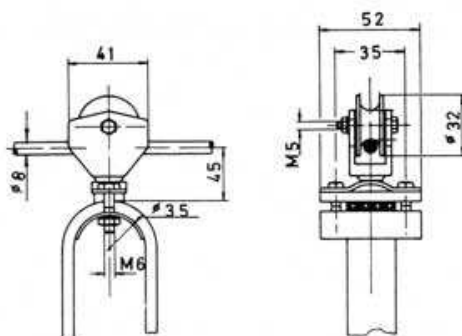
Load per trolley = 5Kg

Maximum bundle dimension : 29 x 8 mm

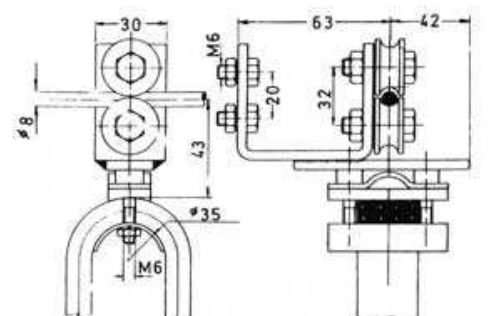
End clamp ref. 2.337-P-2



Cable trolley ref. 2.337-P-5



Towing trolley ref. 2.337-P-6

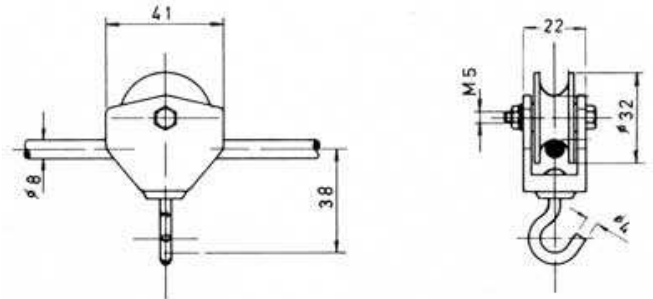


SERIE 2.337

(Cont.)

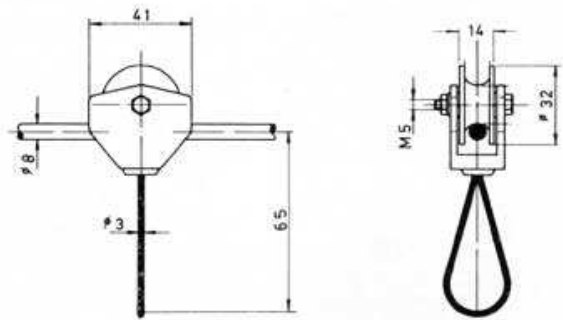
Trolley ref. 2.337-G

Advised for hanging tools and implements
in mobile applications.
Hook made of zinc plated steel.



Trolley ref. 2.337-NY

Adaptable to different uses and fastening.
Hanger made of nylon.

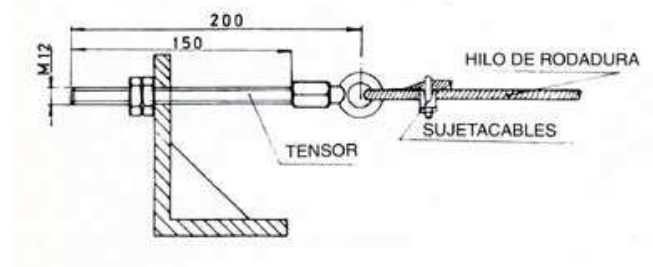


Strainer ref. AT-12

Used with steel rope $\varnothing 6\text{mm}$ and $\varnothing 8\text{mm}$

Wire rope clamp ref. 5/16"

Used with steel rope $\varnothing 8\text{mm}$



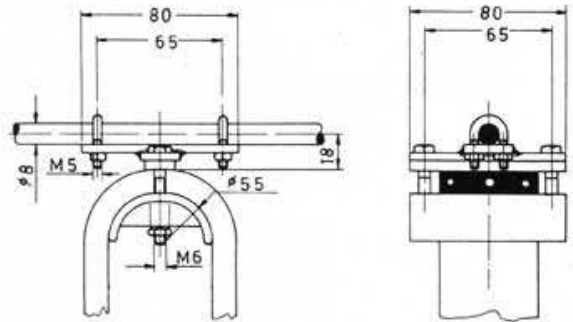
SERIES 2.337-R and 2.337-2R

Run on steel rope $\varnothing 8\text{mm}$
 Maximum span width of installation = 15-20m
 Body and wheels made of plastic. Cable holder made of polypropylene.

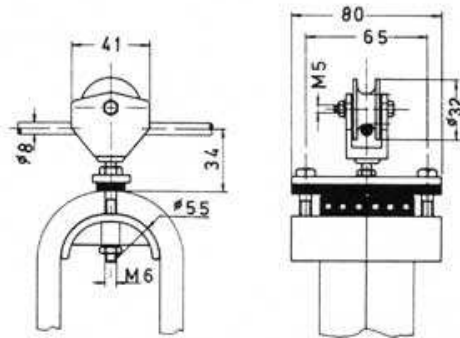
Serie 2.337-R

Load per trolley = 5Kg
 Maximum bundle dimension : 58 x 20 mm

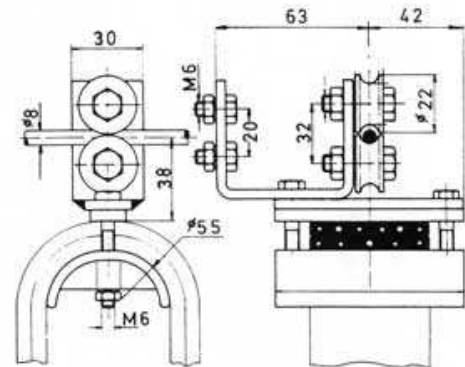
End clamp ref. 2.337-R-2



Cable trolley ref. 2.337-R-5



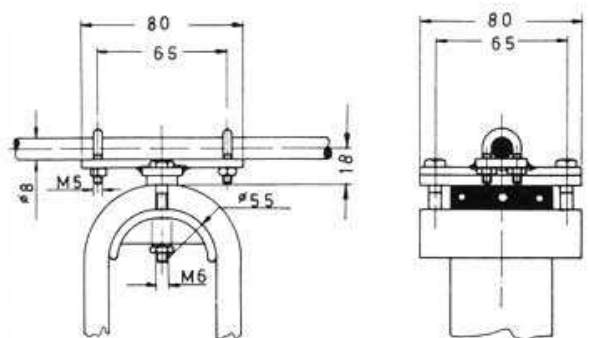
Towing trolley ref. 2.337-R-6



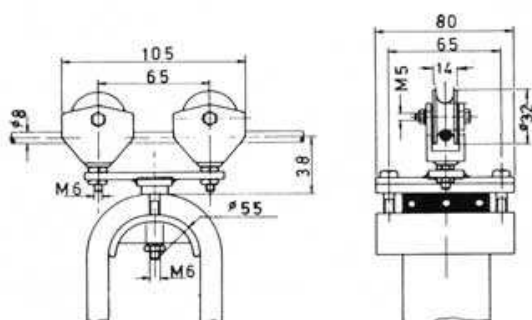
Serie 2.337-2R

Load per trolley = 10Kg
 Maximum bundle dimension : 58 x 20 mm

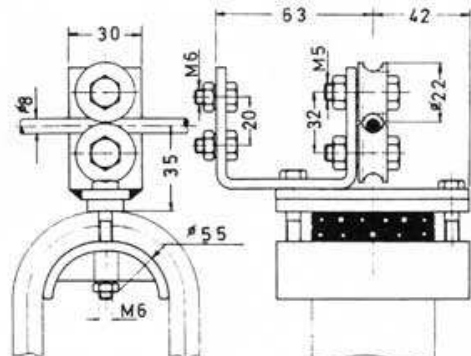
End clamp ref. 2.337-2R-2



Cable trolley ref. 2.337-2R-5



Towing trolley ref. 2.337-2R-6



SERIE 2.337 /B+A

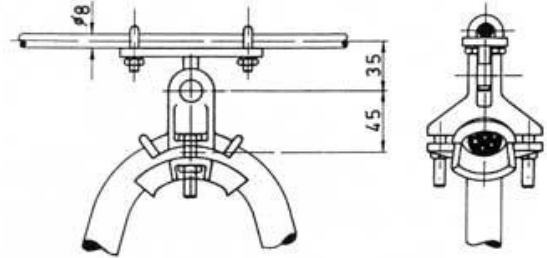
Run on steel rope $\varnothing 8\text{mm}$

Maximum span width of installation = 15-20m

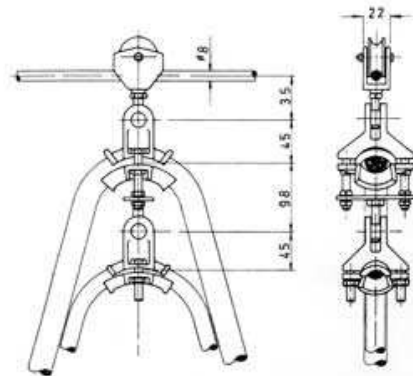
Body and wheels made of plastic.

Cable holder made of aluminium :
- cable holder A : hoses from $\varnothing 8$ to 15mm
- cable holder B : hoses from $\varnothing 16$ to 25mm

End clamp ref. 2.337/B+A-2



Cable trolley ref. 2.337/B+A-5



Towing trolley ref. 2.337/B+A-6

