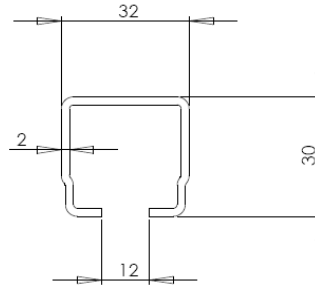




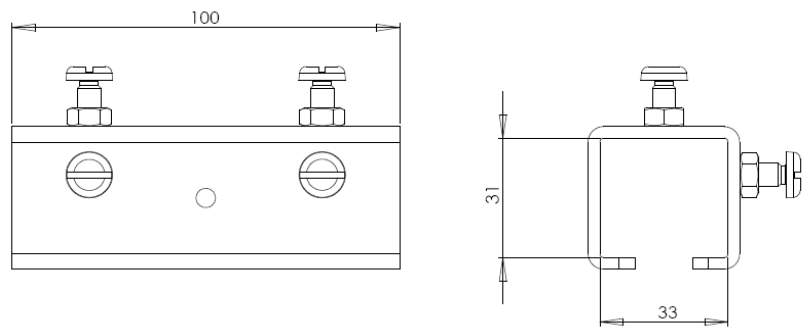
PROFILE
Ref. 2349-1

- Galvanized steel.
- Profile length : 5 metres.



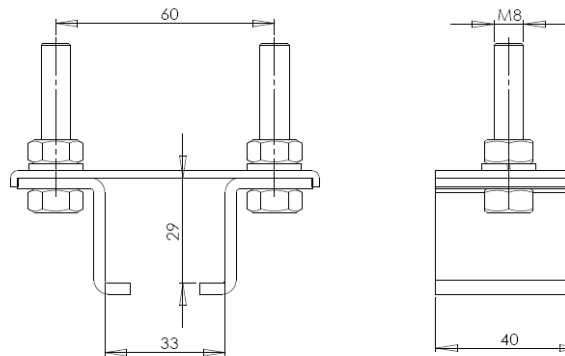
JOINT
Ref. 2349-3

- Zinc plated steel.



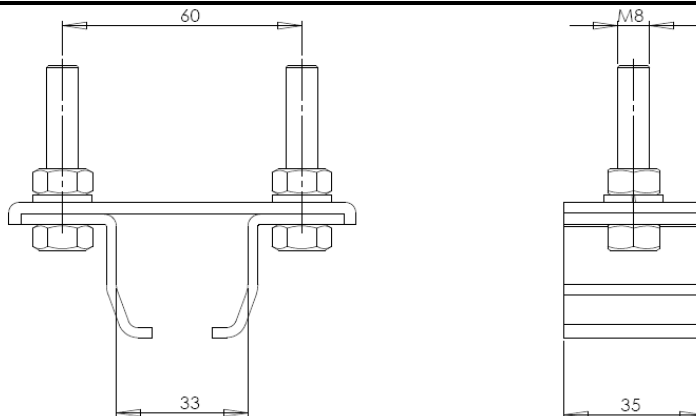
SUPPORT
Ref. 2349-4

- Zinc plated steel.



SUPPORT
Ref. 2331-4-W

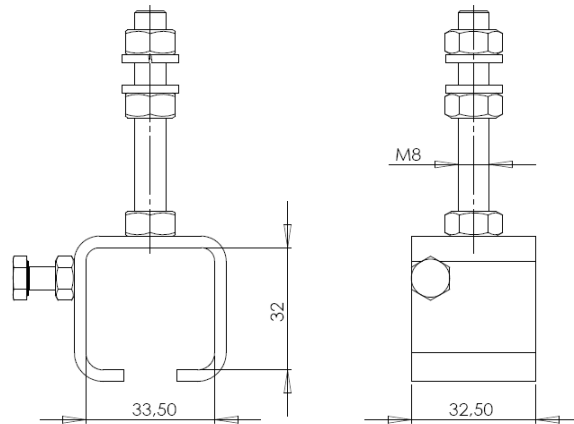
- Zinc plated steel.





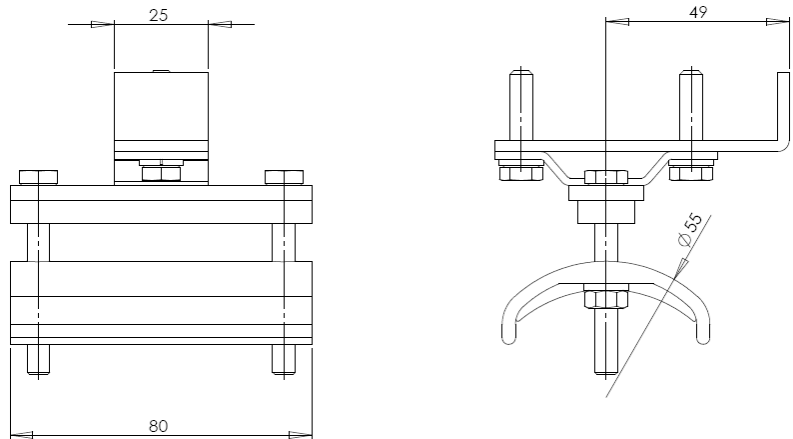
SUPPORT
Ref. 2349-4-A-R

- Zinc plated steel.



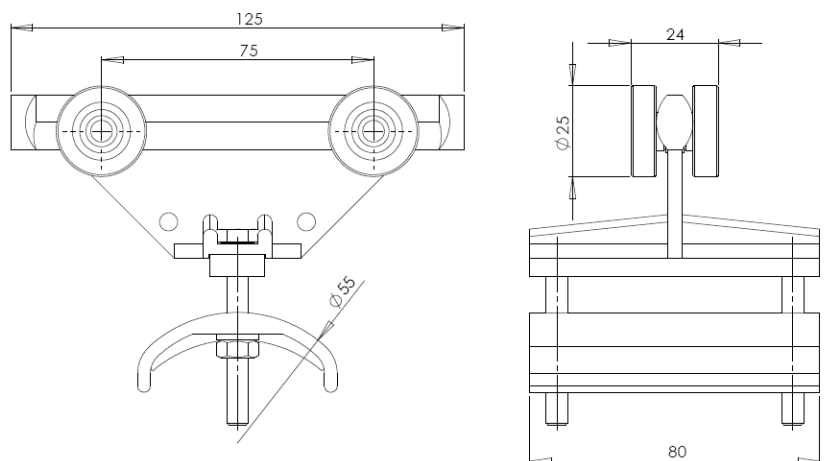
END CLAMP
Ref. 2349-2

- Body and screws : zinc plated steel.
- Cable holder : translucent polypropylene.



CABLE TROLLEY
Ref. 2349-5

- Body : aluminium.
- Ball bearings : zinc plated steel.
- Cable holder : translucent polypropylene.
- Axles and screws : zinc plated steel.

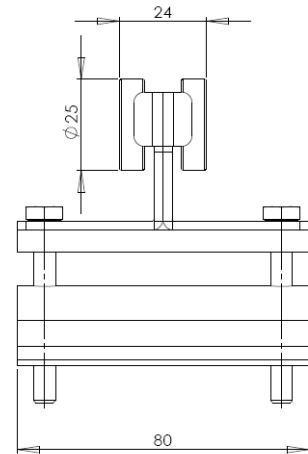
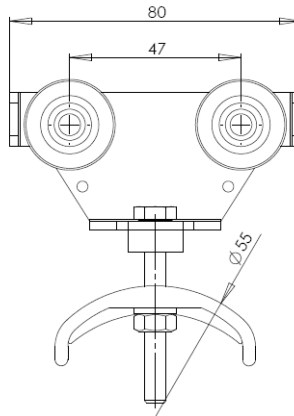




CABLE TROLLEY

Ref. 2324-24-5

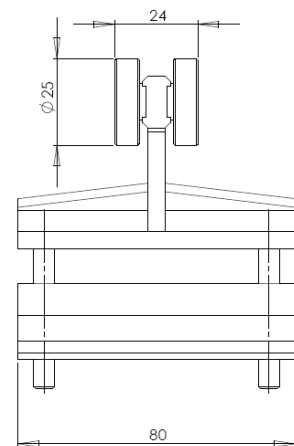
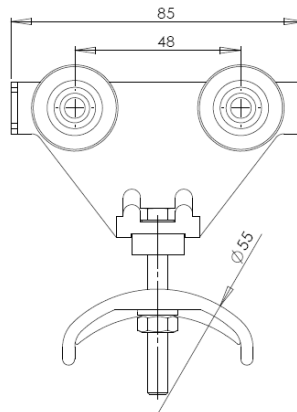
- Body : zinc plated steel.
- Ball bearings : zinc plated steel.
- Cable holder : translucent polypropylene.
- Axles and screws : zinc plated steel.



CABLE TROLLEY

Ref. 2332-5(CRL-1)

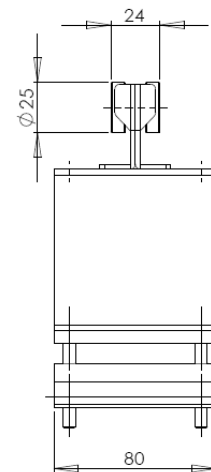
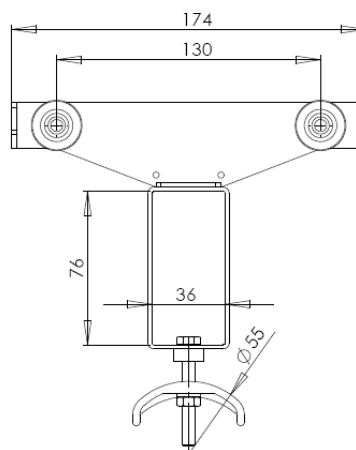
- Body, wheels and cable holder : translucent polypropylene.
- Axles and screws : zinc plated steel.



TOWING TROLLEY

Ref. 2349-6

- Body : zinc plated steel.
- Ball bearings : zinc plated steel.
- Cable holder : translucent polypropylene.
- Axles and screws : zinc plated steel.
- Towing attachment : zinc plated steel.

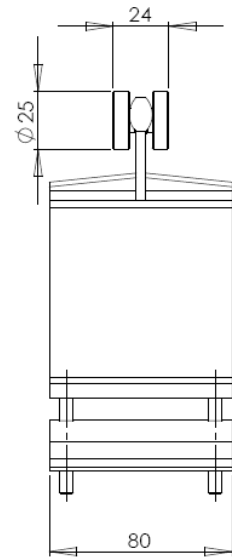
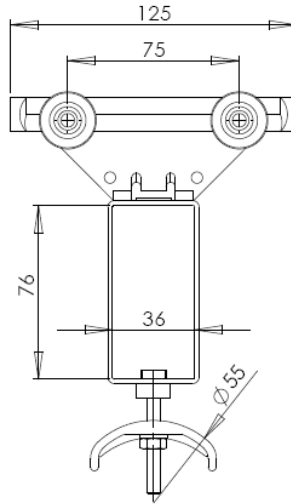




TOWING TROLLEY

Ref. 2349-125-6

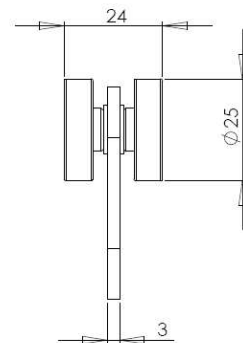
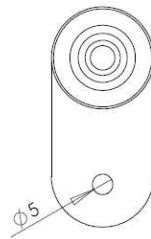
- Body : aluminium.
- Ball bearings : zinc plated steel.
- Cable holder : translucent polypropylene.
- Axles and screws : zinc plated steel.
- Towing attachment : zinc plated steel.



CABLE TROLLEY

Ref. 2349-25

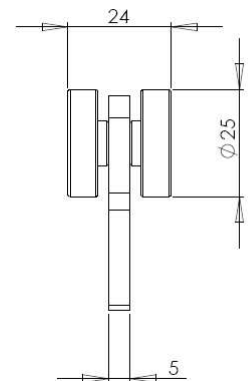
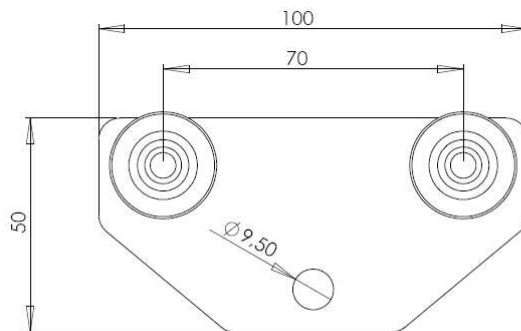
- Body : zinc plated steel.
- Ball bearings : zinc plated steel.



CABLE TROLLEY

Ref. 2349-D-25

- Body : zinc plated steel.
- Ball bearings : zinc plated steel.

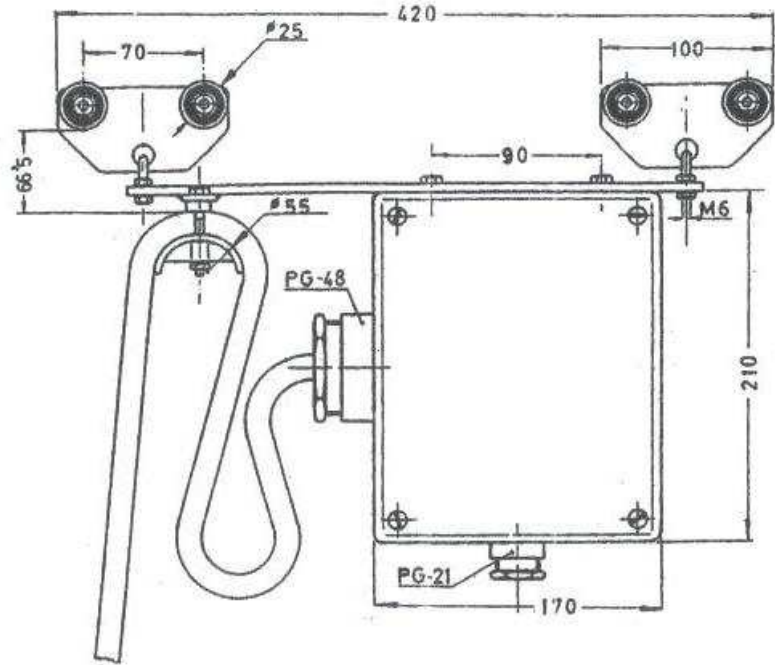




STATION TOWING TROLLEY

Ref. 2349-7

- Bodies : zinc plated steel.
- Ball bearings : zinc plated steel.
- Cable holder : translucent polypropylene.
- Axles and screws : zinc plated steel.
- Cable glands : polyamide.
- Terminal box : polyester and glass fiber.

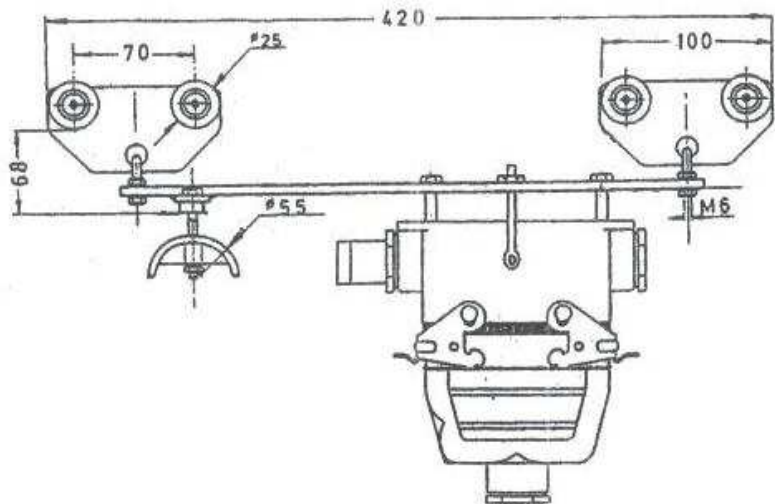


STATION TOWING TROLLEY WITH MULTIPOLE CONNECTOR

Ref. 2349-7-C16

Ref. 2349-7-C24

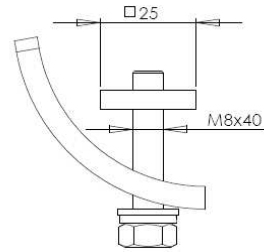
- Bodies : zinc plated steel.
- Ball bearings : zinc plated steel.
- Cable holder : translucent polypropylene.
- Axles and screws : zinc plated steel.
- Cable glands : polyamide.
- Multipole connector with 16 or 24 poles : aluminium.





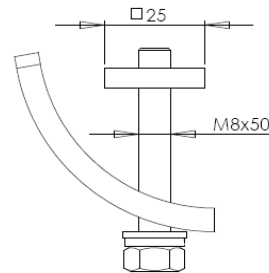
BEAM CLIP
Ref. 2349-12

- Zinc plated steel.



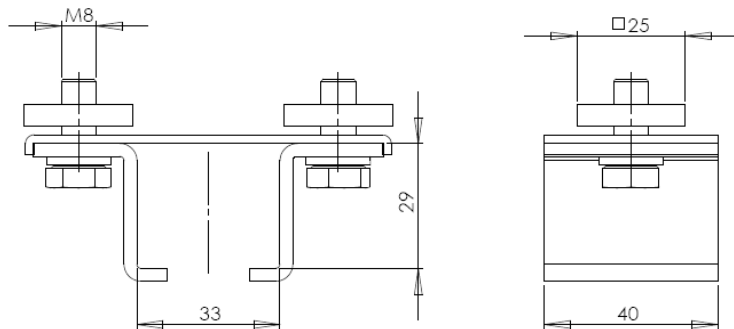
BEAM CLIP
Ref. 2340-12-500

- Zinc plated steel.



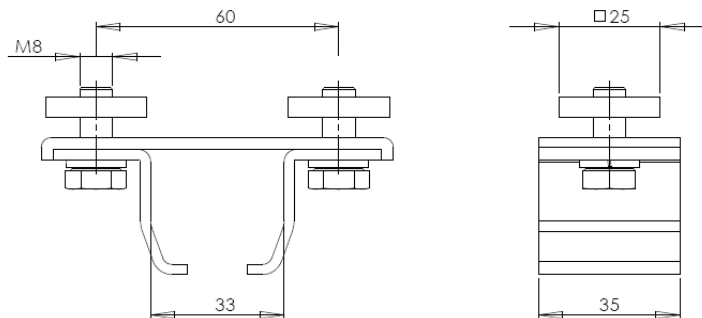
TRACK SUPPORT
Ref. 2349-13

- Zinc plated steel.



TRACK SUPPORT
Ref. 2340-13-W-W

- Zinc plated steel.



END STOP
Ref. 2309-2-W

- Body and screw : zinc plated steel.
- Buffer : rubber.

